

**ART STATION  
VEHICLE TEMPLATES**

# **WRAP DIMENSIONS**

**VEHICLE WRAPS**  
Square Footage/Square Meters

# **SAMPLES**

**PRICE AND QUOTE VEHICLE  
WRAPS QUICKLY AND EASILY**

---

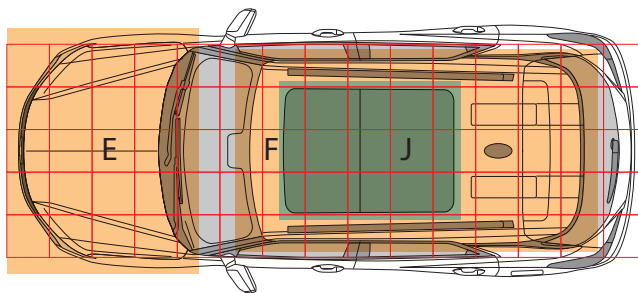
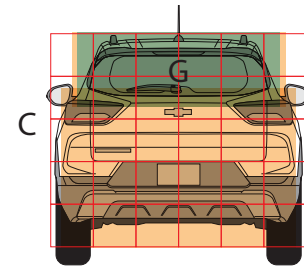
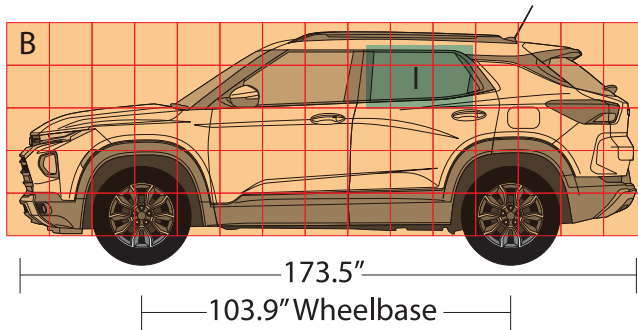
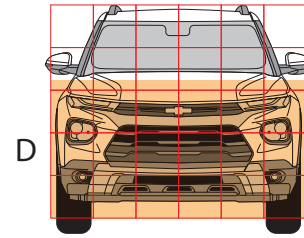
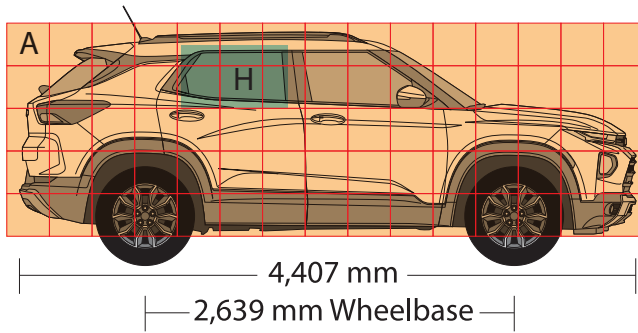
## **NOTE**




---

We are in the process of including 12 inch grids to all our vehicle outlines in Wrap Dimensions. We have included a few pages of the new version in this samples file along with our original sample pages. We will continue to update all our pages with this new format. We believe it will make it easier to get the square footage for partial wraps. It will take some time to get all the pages updated. We appreciate your patience in this and we thank you for your understanding and support.

Larry Lopez

Art Station Vehicle Templates



-  12 Inch Grid
-  Vinyl
-  Window Film

**US Standard**

**Metric**

	Inches		FT		Total Sq.Ft
	W	H	W	H	
A)	180"	60"	15'	5'	75.00 sf
B)	180"	60"	15'	5'	75.00 sf
C)	66"	45"	5.5'	3.75'	20.63 sf
D)	72"	39"	6'	3.25'	19.50 sf
E)	54"	69"	4.5'	3.75'	25.88 sf
F)	102"	57"	8.5'	5'	40.38 sf
G)	57"	21"	4.75'	1.75'	8.31 sf
H)	30"	18"	2.5'	1.5'	3.75 sf
I)	30"	18"	2.5'	1.5'	3.75 sf
J)	51"	39"	4.25'	3.25'	13.81 sf

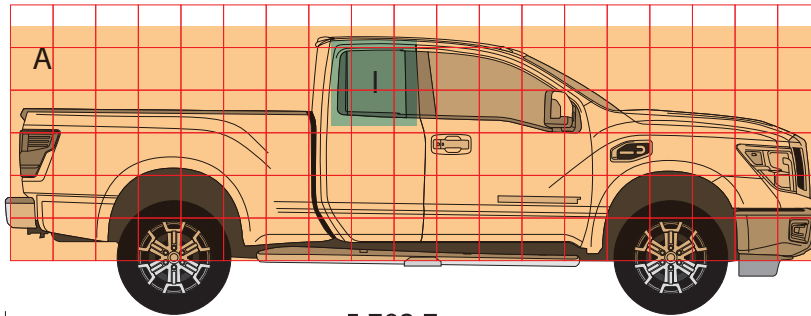
	Millimeters		Meters		Total Sq.M
	W	H	W	H	
A)	4,572mm	1,524mm	4.572m	1.524m	6.97 sm
B)	4,572mm	1,524mm	4.572m	1.524m	6.97 sm
C)	1,676mm	1,143mm	1.676m	1.143m	1.92 sm
D)	1,829mm	991mm	1.829m	.991m	1.81 sm
E)	1,372mm	1,753mm	1.372m	1.753m	2.40 sm
F)	2,591mm	1,448mm	2.591m	1.448m	3.75 sm
G)	1,448mm	533mm	1.448m	.533m	.77 sm
H)	762mm	457mm	.762m	.457m	.35 sm
I)	762mm	457mm	.762m	.457m	.35 sm
J)	1,295mm	991mm	1.295m	.991m	1.28 sm

# Nissan Titan 2016-Present King Cab Standard Box

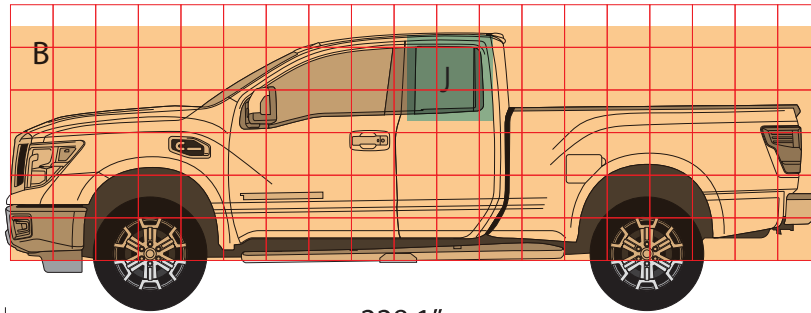
File Name: Titan\_year\_04

# Pick Up Trucks

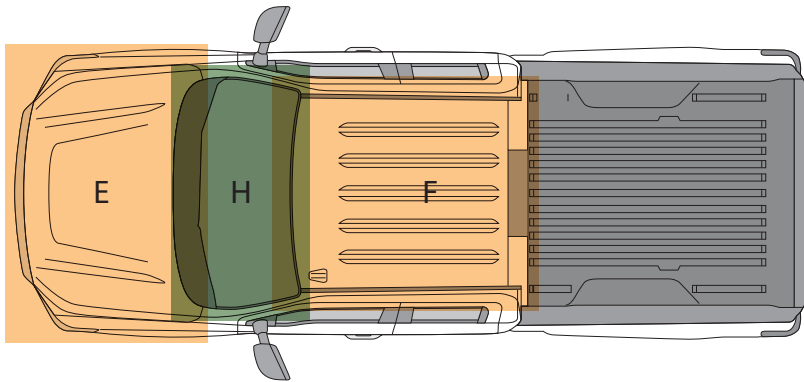
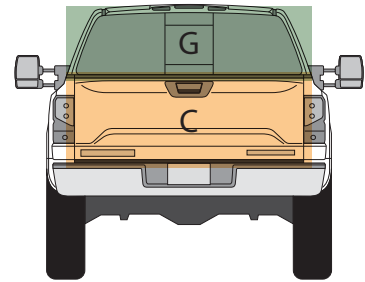
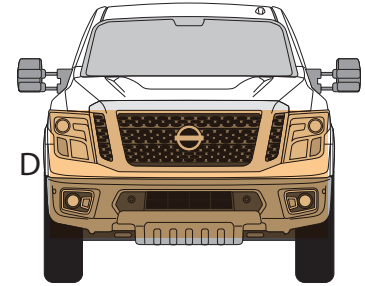
## WRAP Dimensions



5,793.7 mm  
3,551 mm Wheelbase



228.1"  
139.8" Wheelbase



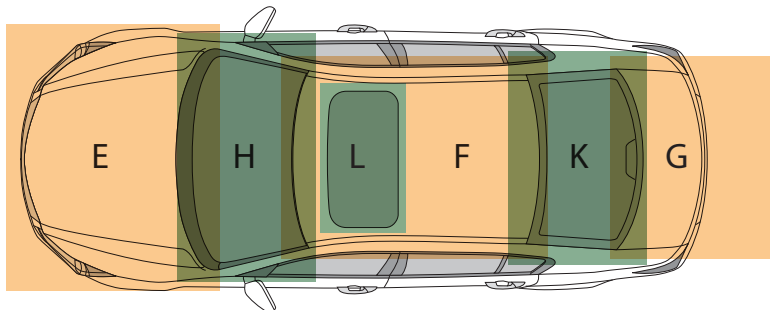
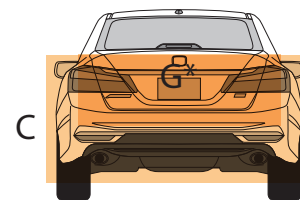
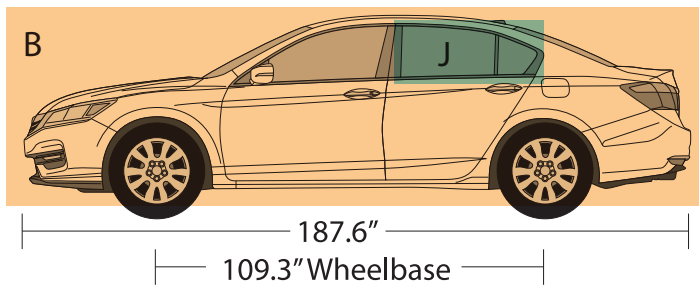
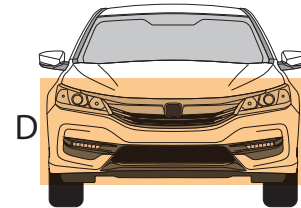
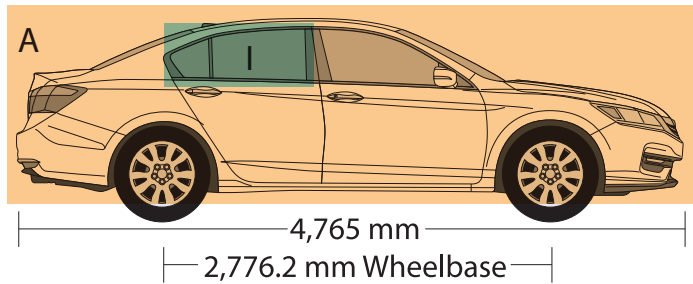
- Vinyl
- Window Film
- 1 ft Grid

### US Standard

	Inches		FT		Total Sq.Ft
	W	H	W	H	
A)	228"	66"	19'	5.5'	104.50 sf
B)	228"	66"	19'	5.5'	104.50 sf
C)	69"	27"	5.75'	2.25'	12.94 sf
D)	78"	36"	5.75'	5.75'	19.50 sf
E)	57"	84"	4.75'	7'	33.25 sf
F)	75"	66"	6.25'	5.5'	34.38 sf
G)	69"	21"	5.75'	1.5'	10.06 sf
H)	39"	72"	3.25'	6'	19.50 sf
I)	24"	24"	2'	2'	4.00 sf
J)	24"	24"	2'	2'	4.00 sf

### Metric

	Millimeters		Meters		Total Sq.M
	W	H	W	H	
A)	5,791.2mm	1,676.4mm	5.7912m	1.6764m	9.71 sm
B)	5,791.2mm	1,676.4mm	5.7912m	1.6764m	9.71 sm
C)	1,752.6mm	685.8mm	1.7526m	.6858m	1.20 sm
D)	1,981.2mm	914.4mm	1.9812m	.9144m	1.81 sm
E)	2,133.6mm	1,828.8mm	2.1336m	1.8288m	3.09 sm
F)	1,905mm	1,676.4mm	1.905m	1.6764m	3.19 sm
G)	1,752.6mm	533.4mm	1.7526m	.5334m	.93 sm
H)	990.6mm	1,828.8mm	.9906m	1.8288m	1.81 sm
I)	609.6mm	609.6mm	.6096m	.6096m	.37 sm
J)	609.6mm	609.6mm	.6096m	.6096m	.37 sm



Note: "G\*" is a continuation from "G" illustrated on the top view.



**US Standard**

**Metric**

Inches	FT	Total Sq.Ft
W H	W H	
A) 198" x 56"	16.5' x 4.66'	76.89 sf
B) 198" x 56"	16.5' x 4.66'	76.89 sf
C) 75" x 36"	6.25' x 3'	18.75 sf
D) 75" x 30"	6.25' x 2.5'	15.63 sf
E) 60" x 75"	5' x 6.25'	31.25 sf
F) 75" x 57"	5.25' x 5'	26.25 sf
G) 48" x 57"	4' x 4.75'	19.00 sf
H) 39" x 70"	3.25' x 5.83'	18.94 sf
I) 42" x 18"	3.5' x 1.5'	5.25 sf
J) 42" x 18"	3.5' x 1.5'	5.25 sf
K) 39" x 60"	3.25' x 5'	16.25 sf
L) 24" x 42"	2' x 3.5'	7.00 sf

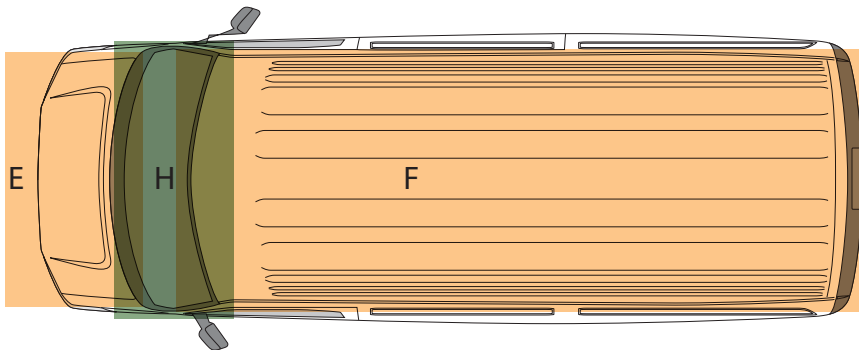
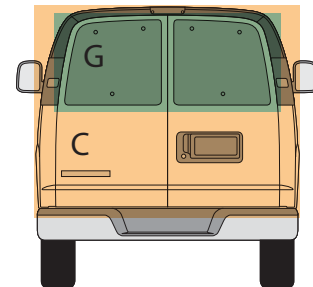
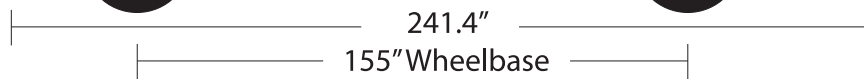
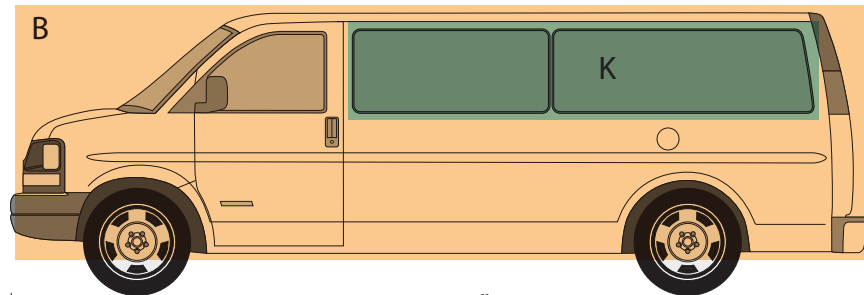
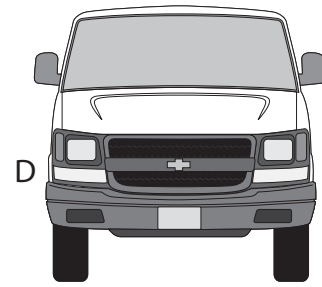
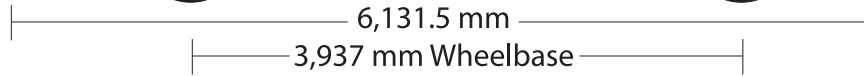
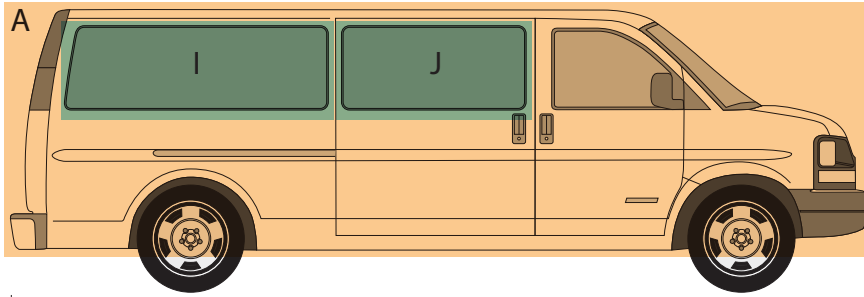
Millimeters	Meters	Total Sq.M
W H	W H	
A) 5,029.2mm x 1,422.4mm	5.0292m x 1.4224m	7.15 sm
B) 5,029.2mm x 1,422.4mm	5.0292m x 1.4224m	7.15 sm
C) 1,905mm x 914.4mm	1.905m x .9144m	1.74 sm
D) 1,905mm x 762mm	1.905m x .762m	1.45 sm
E) 1,524mm x 1,905mm	1.524m x 1.905m	2.90 sm
F) 1,600.2mm x 1,524mm	1.6002m x 1.524m	2.44 sm
G) 1,219.2mm x 1,447.8mm	1.2192m x 1.4478m	1.77 sm
H) 990.6mm x 1,778mm	.9906m x 1.778m	1.76 sm
I) 1,066.8mm x 457.2mm	1.0668m x .4572m	.49 sm
J) 1,066.8mm x 457.2mm	1.0668m x .4572m	.49 sm
K) 990.6mm x 1,524mm	.9906m x 1.524m	1.51 sm
L) 609.6mm x 1,066.8mm	.6096m x 1.0668m	.65 sm

**Chevrolet Express 2003-Present (Long Wheelbase)**

File Name: **Exp\_year\_08**

**VANS**

**WRAP Dimensions**



Note: "D" front vinyl is unnecessary. Exclude the side windows for Cargo Vans as needed.

Vinyl  
 Window Film

**US Standard**

**Metric**

Inches		FT		Total Sq.Ft
W	H	W	H	
A) 243"	x 72"	20.25'	x 6'	121.50 sf
B) 243"	x 72"	20.25'	x 6'	121.50 sf
C) 78"	x 60"	6.5'	x 5'	39.00 sf
D)	N/A			
E) 40"	x 72"	3.33'	x 6'	19.98 sf
F) 195"	x 75"	16.25'	x 6.25'	101.56 sf
G) 64"	x 28"	5.33'	x 2.33'	12.42 sf
H) 40"	x 78"	3.33'	x 6.5'	21.65 sf
I) 78"	x 28"	6.5'	x 2.33'	15.15 sf
J) 54"	x 28"	4.5'	x 2.33'	10.49 sf
K) 135"	x 28"	11.25'	x 2.33'	26.21 sf

Millimeters		Meters		Total Sq.M
W	H	W	H	
A) 6,172.2mm	x 1,828.8mm	6.1722m	x 1.8288m	11.29 sm
B) 6,172.2mm	x 1,828.8mm	6.1722m	x 1.8288m	11.29 sm
C) 1,981.2mm	x 1,524mm	1.9812m	x 1.524m	3.02 sm
D)	N/A			
E) 1,016mm	x 1,828.8mm	1.016m	x 1.8288m	1.86 sm
F) 4,953mm	x 1,905mm	4.953m	x 1.905m	9.44 sm
G) 1,625.6mm	x 711.2mm	1.6256m	x .7112m	1.16 sm
H) 1,016mm	x 2,133.6mm	1.016m	x 2.1336m	2.17 sm
I) 1,981.2mm	x 711.2mm	1.9812m	x .7112m	1.41 sm
J) 1,371.6mm	x 711.2mm	1.3716m	x .7112m	.98 sm
K) 3,429mm	x 711.2mm	3.429m	x .7112m	2.44 sm